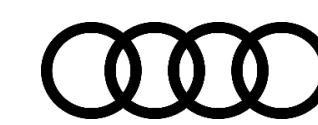


# Audi Q4 e-tron

## MY23 Specification and Option Sheet



	40 e-tron Advanced	50 e-tron quattro S line
Model Code	F4BAC3	F4BA23
Maximum Retail Price (MRP)*	<b>\$99,990</b>	<b>\$126,990</b>
Clean Car Programme (Estimated Rebate / Fee)**	Exempt	Exempt
Electric power consumption combined in kWh/100 km	19.6 - 16.6	20.2 - 17.2
CO2 emissions g/km (Combined 3P-WLTP)***	0	0
Emission Standard	-	-

\*Prices are maximum retail and sale including 15% GST. Prices & specifications are subject to change without notice. Maximum Retail and Sale Price does not include additional on road costs.

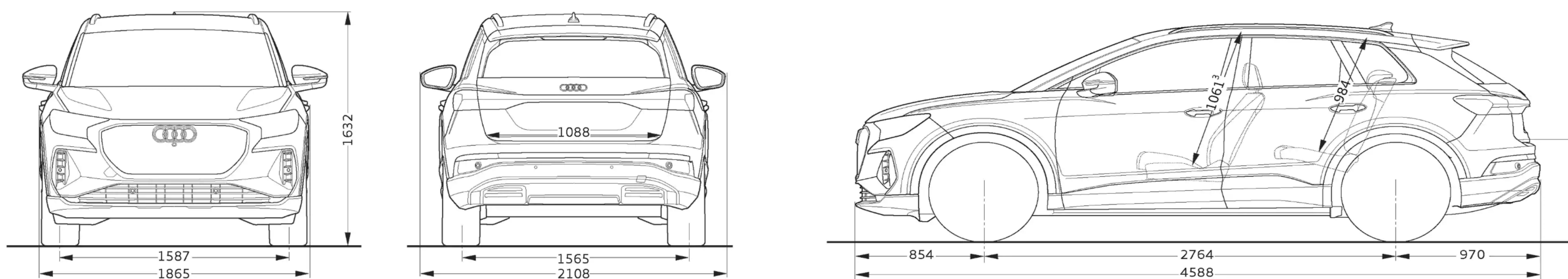
\*\*The figures provided are converted using official NZ Government calculator to 3P-WLTP from official manufacturer's 4P WLTP or NEDC tests.

\*\*\*The official fuel consumption, emissions, and EV range figures determined by the WLTP test should be used as a guide only, or for vehicle to vehicle comparison. Actual results may vary due to factors such as driving or environmental conditions.

### Technical Specifications

Maximum electrical power / KW	150	220
maximum Torque ( Nm )	310	460
Acceleration 0-100 ( km/h )	8.5s	6.2s
Top Speed ( km/h )	160	180
Luggage Capacity ( Rear seats folded )	520 ( 1490 ) L	520 ( 1490 ) L
Trailer load limit ( braked at 12% gradient / unbraked ) kg	1000 / 750	1200 / 750
Electric range on full charge (WLTP)****	Up to 511 km	Up to 479 km

\*\*\*\*The official fuel consumption, emissions, and EV range figures determined by the WLTP test should be used as a guide only, or for vehicle to vehicle comparison. Actual results may vary due to factors such as driving or environmental conditions.



All measurements in millimetres

### Drive Train

Transmission	1 Speed Automatic	1 Speed Automatic
1JA Comfort suspension	•	-
1JC Sports suspension	-	•
Wheel Drive	Rear Wheel Drive	quattro
Electromechanical steering	•	-
Progressive steering	-	•

### Battery & Charging System

Battery Type	Lithium-ion	Lithium-ion
Battery Capacity (gross, kwh)	82	82
e-tron compact charging unit 7.4 kw	•	•
Household connector cable for compact charging unit	•	•
Industrial connector cable for compact charging unit	•	•
Wall bracket for compact charging unit	•	•
Mode 3, type 2 public charging cable (AC)	•	•
Maximum charging capacity DC (AC) kw	135 ( 11 )	135 ( 11 )
Charging time DC 5-80% in min	29	36

### Comfort & Convenience

1S3 Tool kit with tire mobility set	•	•
2H5 Audi Drive Select	•	•
3NT 40:20:40 split folding rear seats	•	•
KC0 Automatic air conditioning system - (single zone)	•	-
KH7 3-zone climate control system	-	•
4L6 Auto-dimming interior rear-view mirror frameless	•	•
Q08 Ambient lighting package	•	-
Q09 Ambient lighting package plus	-	•
7P1 4-way lumbar support for the front seats	•	•
2ZB Double-spoke leather-wrapped steering wheel	•	-
2F5 Double-spoke leather-wrapped sports contour steering wheel, paddle shifts	-	•
3L5 Power adjustable front seats	•	•
4A3 Seat heaters in front	•	•
QE1 Storage package with variable loading floor	-	•
4K6 Comfort key with SAFELOCK + electronic tail gate operation	•	•
GA1 Stationary air-conditioning	•	•
9ZV Audi phone box light	•	•

### Driver Assistance Systems

8J3 Audi pre sense front for vehicles, pedestrians, bicycles	•	•
7X2 Front and rear parking sensors	•	-
8A2 Park assist plus with park distance control with area view	-	-
7W1 Audi pre sense rear	•	•
8T8 Adaptive Cruise Control with speed limiter	•	•
K53 Augmented reality head-up display	-	•
KA2 Rear view camera	•	-
KA6 360-degree camera	-	•
8G1 High beam assist	•	-
7K1 Tire pressure monitoring system	•	•
9P4 Visual and acoustic seat belt reminder	•	•
79H Lane change assistant with exit warning system and rear cross traffic assist	•	•
6I2 Adaptive Cruise assist	•	-
6I6 Adaptive Cruise assist incl. traffic jam assist & emergency assist	-	•

<b>Exterior</b>		
1M6	Trailer hitch	•
6X1	Exterior mirrors, power-adjustable and heated, foldable	•
3S1	Bright roof rails	•
FB5	Contrasting Paint with bottom-line and wheel arches in Manhattan grey	•
9I5	Separate daytime running light	•
8IT	LED headlamps	•
8IY	Matrix LED headlamps with digital signatures and dynamic light design	-
8XB	Headlamp washer system	-
A11	Memory feature for driver seat and exterior mirrors	-
8VG	LED rear combination lamps	•
8VP	LED rear combination lamps with illuminated taillight panel and dynamic light design	-
QL5	Dark tinted heat reflecting glass	-
4E6	Electric opening/closing luggage compartment lid (sensor controlled)	•
2JG	"advanced" exterior	•
2JD	S-Line exterior	-
1J2	Logo projector in the exterior mirrors	•
4GF	Windshield with heat-reflecting glass	•

<b>Interior Trims &amp; Upholstery</b>		
6F4	Steering wheel elements in chrome look	•
6F7	Steering wheel elements in chrome look, "S" emblem, partial perforated leather, contrast seam	-
5MA	Decorative insert in Black soft-touch paint	•
5TG	Decorative insert in matt brushed dark aluminium	-
7M3	Scuff plates with aluminium inserts in front	•
V75	Scuff plates with aluminium inserts in front, illuminated, with "S" logo	-
VF0	Standard pedal cluster and foot rest	•
VF1	Pedal cluster in stainless steel	-
99L	Standard seats in black leather/leatherette combination	•
99W	Sports seats in black nappa leather with "S" embossing and diamond stitching	-
7HC	Door arm rest in leatherette	-
6NQ	Headliner in black fabric	-

<b>Multimedia &amp; Connectivity</b>		
IU1	Audi smartphone interface	•
9VD	Audi sound system	•
9S1	Audi virtual cockpit	-
9S9	Audi virtual cockpit Plus	-
98R	MMI plus (Apple CarPlay and Android Auto compatible)	•

<b>Warranty</b>		
Audi Cover		
	- Audi Warranty - 5 years / 150,000 kms*	•
	- Audi Roadside Assist - 5 years / 150,000 kms*	•
	- Audi Motoring Plan - 3 years / 150,000 kms*	•
	* whichever comes first	
	12 Year Anti-Corrosion Warranty	•
	Battery Warranty - 8 years / 160,000km	•

<b>Wheels</b>		
40Z	5-W-Spoke "Aero", Graphite grey, diamond-turned 19"	•
55K	5-Y-Spokes, Graphite grey, diamond-turned 20"	-
C5W	Audi Sport wheels, 5 W spoke star, platinum grey 21"	WDW



<b>Style pack</b>		
3FU	Panoramic glass sunroof	
C5W	Audi Sport wheels, 5 W spoke star, platinum grey 21"	
4ZP	Black appearance package Plus	
	- Black grille, black accents on bumper front and back, black logo, black window accents, black roof rails (Mythos black exterior colour forces Mythos black mirror housings)	\$7,000
6FJ	Black exterior mirror housings	
QL5	Dark tinted privacy glass (40e-tron only)	\$5,000

<b>Sound pack</b>		
9V5	Sonos Premium Sound system	\$2,000
A19	Steering wheel heating (S line 50 e-tron quattro only)	\$2,500